

Evolv

PRODUCT CATALOG

SIT TO STAND



EasyStand 

Evolv

Medium, Large, & XT

Modular design makes the EasyStand Evolv the most versatile standing frame available. The base unit is functional for many users, however when more support is needed a wide variety of positioning options can be added to accommodate the most involved user. The Evolv enables full extension at the hips and knees for those with sufficient range of motion (ROM) and full weight-bearing on the long bones of the legs. For those with limited ROM, sit to stand provides an opportunity to stand in a partial weight-bearing position and potentially progress to full extension over time.



Swing-Away Front w/Shadow Tray

The Evolv

Safer

- The three point system of padded knee pad, seat, and chest pad provides the individual with support in all positions from sitting to standing. Sit to stand also allows the user to ascend and descend at their own pace and the ability to stop anywhere between sitting and standing.

Shadow Tray

- Provides constant anterior support between sitting and standing, perfect for the individual with limited upper body support and allows standing in a partial weight-bearing position or stopping to rest/acclimate when needed.

Quick Use

- For those that self-transfer, it is a quick lateral transfer, flip the knee pad down and you are ready to start standing.

Assisted Transfers Made Easier

- For those that require an assisted transfer, several options ease assisted transfers such as swing-away fronts, removable backs, transfer and swivel seats, as well as elevated rear legs that allow more flexibility when patient lifts are needed.

Comfortable

- Critical areas are padded so the knee pad, seat, back and front pad are always well cushioned. Roho® seat cushions and knee pads are options for those with pressure management issues.

Advantage

Acclimated Standing

- Newly injured and those that have not stood recently often need to acclimate to standing. Sit to Stand allows a user to stop at any point between sitting and standing. This is also beneficial for those who have minor contractures in the knees and hips and allows them to be fully ranged out over time.

Full Hip and Knee Extension

- Allows for an over-center stretch of the hips and the full extension of the knees. This is ideal for achieving all the health benefits of standing.

Modular Design

- Accommodates both users needing little added support and those who require significant positioning to go from sitting to standing. Over 60 different positioning options, developed with advice from therapists, can accommodate the most severe disabilities. Additionally, disabilities such as Multiple Sclerosis and ALS are progressive, and positioning options may need to be added over time. Our modular design helps stand those with the most difficult positioning challenges.

Prepare for Exoskeleton Walking

- According to regulatory approval of exoskeleton products, prior to using an exoskeleton walking device, users should be able to stand using an assistive standing device (e.g., EasyStand Evolv). Being able to stand comfortably for longer periods of time and getting a proper stretch, makes the Evolv the ideal partner for pre-walking needs before starting a walking program.



Swing-Away Front
w/Shadow Tray



Swing-Away Front
with options

Evolv

Medium, Large, & XT

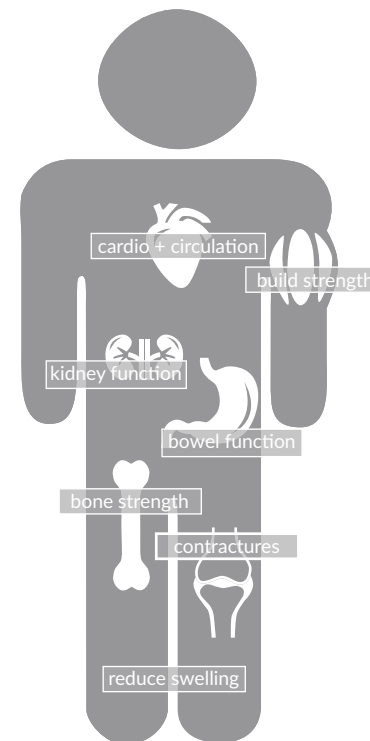
SIT TO STAND



Mobile

Health Benefits

- Improve/maintain range of motion
- Decrease joint/muscle contractures
- Management of atrophy in the trunk and leg muscles
- Improve strength to trunk and lower extremities
- Decrease muscle spasms
- Promote proper muscle skeleton development
- Improve/maintain bone integrity/skeletal development
- Lessen/manage the progression of scoliosis
- Manage pressure (ulcers) through changing positions
- Improve bowel function and regularity
- Aid in kidney and bladder functions
- Strengthen cardiovascular system and build endurance
- Improve circulation
- Reduce swelling in lower extremities





Shadow Tray
with options



Base Model
with options



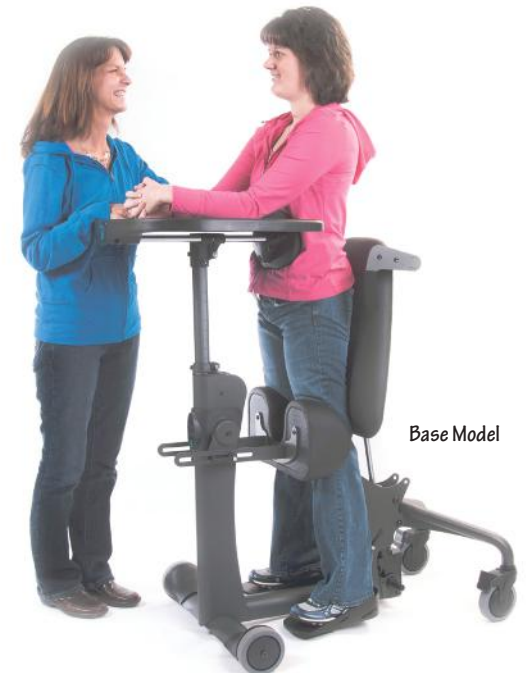
Mobile



Swing-Away Front
with options



Base Model
with options



Base Model

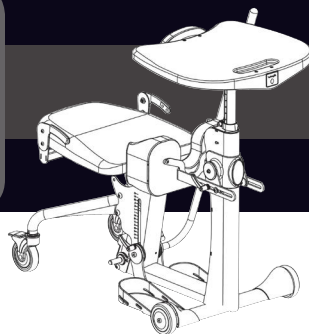
Specifications

Specifications	Medium	Large	XT
Weight Limit	200 lbs. (90kg)	280 lbs. (127kg)	350 lbs. (159kg)
Height Range	4'-5'6" (122-168cm)	5'-6'2" (152-188cm)	6'-6'10" (183-208cm)
Seat to Foot Plate Range	11"-18" (28-46cm)	14"-21" (36-53cm)	17"-23" (43-58cm)
Seat Depth Range	14"-19" (36-48cm)	18"-23" (46-58cm)	20"-25" (51-64cm)
Seat Height from Floor	21.5" (55cm)	21.5" (55cm)	23.5" (60cm)
Knee Pad Depth Range	3.5"-5.75" (9-15cm)	3.5"-5.75" (9-15cm)	4.75"-7" (12-18cm)
Weight of Basic Unit	101 lbs (46kg)	104 lbs (47kg)	112 lbs (51kg)
Frame Footprint	26.5"x33.5" (67x85cm)	26.5"x33.5" (67x85cm)	29.5"x37.5" (70x95cm)

additional specifications at easystand.com

Evolv Medium

Options



4'-5'6"
(122-167cm)



200 lbs
(91 kg)

The EasyStand Evolv base model includes: Two 5" rear locking casters, two 5" front wheels, manual hydraulic actuator with handle, flip-up knee pad, multi-adjustable foot plates, black molded tray with chest pad and black upholstery (back not included).



PNG50499 Easy-Adjust Seat Depth

Roller bearing seat depth that allows for smoother seat depth adjustment. Not available off unit. Great for multi-user facilities.



PNG50070 T-Style Handle Extension

Attaches to the actuator handle for users with limited range of motion. Makes the first few pumps easier and descending more accessible. Adds additional 7" (18cm) in each direction. Not available with pow'r up lift.



PNG50366 Clear Angle Adjustable Tray

Adjusts from 0-35° to provide forearm support and angle activities closer to the user. Tray size is 21"Lx24"W (53x61cm). Not available with mobile, shadow or swing-away.



PNG50025 Mobile

Self propel the stander. Features flip-away knee pad and push rims, drive wheel locks and enclosed chain drive mechanism. Not available with independent knee pads or shadow trays. Includes clear mobile tray 18"Wx19"L (46x48cm).



PNG50471 Shadow Tray 7" PNG50474 Deep Shadow Tray 7"

Seat to tray height 7" (18cm). PNG50471 depth range is 3.5"-15" (9-38cm) and PNG50474 is 7.25"-19" (18-48cm). Includes large, adjustable contoured chest pad. Back option required. Not available with mobile. Requires swing-away front.



PNG50295 No-Tray Chest Pad

Provides anterior support to trunk while allowing closer access to cabinets and other hard to reach areas. Works great with the mobile option. Not available with the swing-away front or shadow tray.



PNG50314 Front Swivel Casters PNG50483 Front Swivel Casters for Swing-Away

Locking casters allow for easier steering and movement of stander. Replaces front wheels. PNG50314 extends footprint to 28"x36" (71x91cm). PNG50483 extends footprint to 25" x 44" (64x112cm). Not available with mobile option.



PNG50130 Shadow Tray 10" PNG50334 Deep Shadow Tray 10"

Seat to tray height 10" (25cm). PNG50130 depth range is 3.5"-15" (9-38cm) and PNG50334 is 7.5"-19" (19-48cm). Includes large, adjustable contoured chest pad. Back option required. Not available with mobile.



PNG50456 Clear Tray for Swing-Away

Clear trays designed exclusively for the swing-away front. Clear tray size is 21"Lx24"W (53x61cm).



PNG50417 Swing-Away Front PNG50428 Swing-Away Front for Shadow Tray

Allows the tray and knee pads to swing away with minimal lifting, providing more room for assisted transfers. Includes black molded tray. Not available with mobile option.



PNG50347 Clear Tray Top for Shadow

Acrylic, replaces standard black molded tray. Tray size is 21"Lx24"W (53x61cm). Shadow tray required. Not available with mobile.



PNG50458 Oversized Clear Tray for Swing-Away

Clear trays designed exclusively for the swing-away front. Oversized clear tray size is 29"Wx22"L (74x56cm).



PNG50010 Pow'r Up Lift

Brings the user to the standing position with the touch of a button. Includes light touch controller, rechargeable battery and charger, Linak® actuator and an emergency release.



PNG50248 Clear Tray Top

Acrylic, replaces standard black molded tray. Tray size is 21"Lx24"W (53x61cm). Not available with mobile, shadow or swing-away.



PNG50490 Black Molded Angle Adjustable Tray for Swing-Away

Adjusts from 0-35° to provide forearm support and angle activities closer to the user. Designed exclusively for the swing-away front. Tray size is 21"Lx24"W (53x61cm).



PNG50328 Adjustable/Removable Actuator Handle

Removable actuator handle adjusts the distance of reach to actuator handle to meet user's needs. Not available with pow'r up lift.



PNG50194 Oversized Clear Tray

Large acrylic tray allows more room for reading and functional activities. Tray size is 29"Wx22"L (74x56cm). Not available with mobile, shadow or swing-away.



PNG50489 Clear Angle Adjustable Tray for Swing-Away

Adjusts from 0-35° to provide forearm support and angle activities closer to the user. Designed exclusively for the swing-away front. Tray size is 21"Lx24"W (53x61cm).



PNG50044 Quad Grip Handle Extension

Attaches to the actuator handle for users with limited dexterity. Adjusts for various hand sizes. Not available with pow'r up lift.



PNG50368 Black Molded Angle Adjustable Tray

Adjusts from 0-35° to provide forearm support and angle activities closer to the user. Tray size is 21"Wx24"L (53x61cm). Not available with mobile, shadow or swing-away.



PNG50491 Oversized Clear Angle Adjustable Tray for Swing-Away

Adjusts from 0-35° to provide forearm support and angle activities closer to the user. Designed exclusively for the swing-away front. Tray size is 29"Wx22"L (74x56cm).



PNG50327 Clear Angle Adjustable Tray for Mobile

Adjusts from 0-35° to provide forearm support and angle activities closer to the user. Tray size is 18"Wx19"L (56x48cm).



**PNG50161 Hip Supports-9"-15"W
PNG50198 Hip Supports-11"-17"W**

Supports the hips in symmetrical alignment from sitting to standing. Width range is 9"-15" (23-38cm) and 11"-17" (28-43cm). Pad size is 4"x6" (10x16cm). Limited adjustment with shadow tray.



**PNG50192 Chest Strap-30"-46" Range
PNG50193 Chest Strap-34"-54" Range
PNG50504 Chest Strap-46"-66" Range**

Velcro® and D-ring adjustment. 30"-46" (76x117cm) chest strap pad is 5"Wx19"L (13x48cm). 34"-54" (86x137cm) and 46"-66" (117-168cm) chest strap pad is 5"Wx24"L (13x61cm). Fits users with chest measurement ranging from 30"-46" (76-117cm), 34"-54" (86-137cm) and 46"-66" (117-168cm). Back required.



PNG50042 Hand Grips

Provides additional arm and hand support and alignment. Easily movable for precise arm positioning. Attaches with suction cups. A clear acrylic tray is required.



**PNG50384 Independent Knee Pads
PNG50425 Independent Knee Pads for Swing-Away**

Width range from center to center is 9"-13.5" (24-34cm). Knee pad depth range from front of seat is 1"-7.5" (3-19cm). Knee pad height range is +5" to -5.25" (+13 to -13cm) from seat pivot. Not available with mobile.



P600002 Back Angle Adjustment Wheel

Provides quick adjustment of the back angle for multi-user environments. Replaces standard 5 point knob. Back required.



PNG30000 Large Contoured Chest Pad

Attaches to tray or no-tray bracket to provide anterior support. Replaces standard chest pad. Oval pad is 9.5"Hx15"W (24x38cm). Standard with shadow tray.



**PNG50385 Independent Roho® Knee Pads
PNG50426 Ind Roho® Knee Pads for Swing-Away**

Width range from center to center is 9"-13.5" (24-34cm). Depth range from front of seat is 1"-7.5" (3-19cm). Height range is +5" to -5.5" (+13 to -14cm) from seat pivot. Not available with mobile.



PNG50034 Accessories Mounting Bracket

Required for attaching the chest vest, lateral supports, high mount chest vest bracket, head supports and push handles. Back required.



PNG30295 Padded Tray Cover

A removable padded tray cover with drawstring that attaches to the black molded, clear, angle adjustable, or shadow tray. Not available for mobile tray or oversized tray.



**PNG50066 Flat Back 15"H
PNG50171 Removable Flat Back 15"H**

Top of back is 15" (38cm) from seat. Removable back releases with two knobs and provides rear access for patient lift transfers.



**PNG30170 X-Style Chest Vest-11"Lx9.5"W
PNG30056 X-Style Chest Vest-12.5"Lx10"W**

Neoprene® with camlock adjustment provides anterior trunk support. Size is 11"Lx9.5"W (28x24cm) and 12.5"Lx10"W (32x26cm). Back and accessories mounting bracket required.



**PNG30030 Foot Straps-15"
PNG50505 Foot Straps-21"**

Velcro® and D-ring adjustment hold feet in alignment with two attachment slots for proper foot positioning. Straps measured in length over top of foot, with approximately 1.5" (4cm) of Velcro® overlap.



**PNG50067 Flat Back 19"H
PNG50173 Removable Flat Back 19"H**

Top of back is 19" (48cm) from seat. Removable back releases with two knobs and provides rear access for patient lift transfers.



**PNG30171 Y-Style Chest Vest-17.5"Lx11.5"W
PNG30021 Y-Style Chest Vest-20.5"Lx12.5"W**

Neoprene® with camlock adjustment provides anterior trunk support. Size is 17.5"Lx11.5"W (44x29cm) and 20.5"Lx12.5"W (52x32cm). Back and accessories mounting bracket required.



**PNG30031 Secure Foot Straps-15"
PNG50506 Secure Foot Straps-21"**

Velcro® and D-ring adjustment hold feet in alignment with two attachment slots for proper foot positioning. Straps measured in length over top of foot, with approximately 1.5" (4cm) of Velcro® overlap.



**PNG50062 Contoured Back 15"H
PNG50172 Removable Contoured Back 15"H**

Top of back is 15" (38cm) from seat. Removable back detaches with two knobs and provides rear access for patient lift transfers.



PNG11212 High Mount Chest Vest Bracket

Moves mounting points for chest vest higher to secure shoulders in position. Chest vest not included. Back and accessories mounting bracket required.



PNG30269 Transfer Seat

Provides larger surface for lateral transfers. 20"W at widest area x 17.5"L (50x44cm). May replace the need for a transfer board.



**PNG50068 Contoured Back 19"H
PNG50174 Removable Contoured Back 19"H**

Top of back is 19" (48cm) from seat. Removable back detaches with two knobs and provides rear access for patient lift transfers.



**PNG50224 Lateral Supports 8"-16.5"W
PNG50176 Lateral Supports 11"-19.5"W**

Multiple adjustments, removable for transferring. Depth range is 3" (8cm). Height range is 4"-12" (10-30cm). Pad size is 4"x6" (10x15cm). Back and accessories mounting bracket required.



PNG50324 Rotating Seat

Rotating disk is embedded in the seat to reduce shear while swinging the user's legs into place. It rotates 90° to the left or right and locks in place.



**PNG30029 Velcro® Positioning Belt-26"
PNG30306 Velcro® Positioning Belt-38"**

2" (5cm) wide positioning belt has a D-ring Velcro® closure, provides hip stability for user. Fits hip circumference of 26"-55" (66-140cm) and 38"-67" (97-170cm). Back required.



**PNG50240 Head Support-Short
PNG50037 Head Support-Tall**

Height range from seat with a 15" back for PNG50240 is 21"-30" (53-76cm) and PNG50037 is 23"-32" (58-81cm). With a 19" tall back the PNG50240 is 23"-32" (58-81cm) and PNG50037 is 25"-34" (64-86cm). Back and accessories mounting bracket required.



PNG30183 Seat w/Roho® Insert

Maximizes pressure relief using the benefits of Roho® Dry Floatation® technology. Insert is 7"x12" (18x30cm). Replaces standard seat.



PNG30028 Positioning Belt w/Airline Style Buckle

2" (5cm) wide positioning belt provides hip stability with the security of an airline style buckle. Fits hip circumference of 26"-55" (66-140cm). Back required.

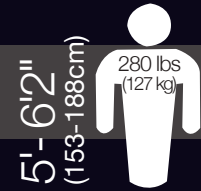
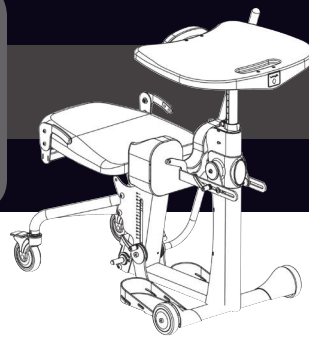


PNG50040 Push Handles

Makes pushing the stander easier for the caregiver. Back and accessories mounting bracket required.

Evolv Large

Options



The EasyStand Evolv base model includes: Two 5" rear locking casters, two 5" front wheels, manual hydraulic actuator with handle, flip-up knee pad, multi-adjustable foot plates, black molded tray with chest pad and black upholstery (back not included).



PNG50499 Easy-Adjust Seat Depth

Roller bearing seat depth that allows for smoother seat depth adjustment. Not available off unit. Great for multi-user facilities.



PNG50070 T-Style Handle Extension

Attaches to the actuator handle for users with limited range of motion. Makes the first few pumps easier and descending more accessible. Adds additional 7" (18cm) in each direction. Not available with pow'r up lift.



PNG50368 Black Molded Angle Adjustable Tray

Adjusts from 0-35° to provide forearm support and angle activities closer to the user. Tray size is 21"Lx24"W (53x61cm). Not available with mobile, shadow or swing-away.



PNG50025 Mobile

Self propel the stander. Features flip-away knee pad and push rims, drive wheel locks and enclosed chain drive mechanism. Not available with independent knee pads or shadow trays. Includes clear mobile tray 18"Wx19"L (46x48cm).



PNG50471 Shadow Tray 7" PNG50474 Deep Shadow Tray 7"

Seat to tray height 7" (18cm). PNG50471 depth range is 3.5"-15" (9-38cm) and PNG50474 is 7.25"-19" (18-48cm). Includes large, adjustable contoured chest pad. Back option required. Not available with mobile. Requires swing-away front.



PNG50366 Clear Angle Adjustable Tray

Adjusts from 0-35° to provide forearm support and angle activities closer to the user. Tray size is 21"Lx24"W (53x61cm). Not available with mobile, shadow or swing-away.



PNG50314 Front Swivel Casters PNG50483 Front Swivel Casters for Swing-Away

Locking casters allow for easier steering and movement of stander. Replaces front wheels. PNG50314 extends footprint to 28"x36" (71x91cm). PNG50483 extends footprint to 25" x 44" (64x112cm). Not available with mobile option.



PNG50130 Shadow Tray 10" PNG50334 Deep Shadow Tray 10"

Seat to tray height 10" (25cm). PNG50130 depth range is 3.5"-15" (9-38cm) and PNG50334 is 7.5"-19" (19-48cm). Includes large, adjustable contoured chest pad. Back option required. Not available with mobile.



PNG50295 No-Tray Chest Pad

Provides anterior support to trunk while allowing closer access to cabinets and other hard to reach areas. Works great with the mobile option. Not available with the swing-away front or shadow tray.



PNG50417 Swing-Away Front PNG50428 Swing-Away Front for Shadow Tray

Allows the tray and knee pads to swing away with minimal lifting, providing more room for assisted transfers. Includes black molded tray. Not available with mobile option.



PNG50026 Shadow Tray 12" PNG50332 Deep Shadow Tray 12"

Seat to tray height 12" (30cm). PNG50026 depth range is 3.5"-15" (9-38cm) and PNG50332 is 7.5"-19" (19-48cm). Includes large, adjustable contoured chest pad. Back option required. Not available with mobile.



PNG50456 Clear Tray for Swing-Away PNG50458 Oversized Clear Tray for Swing-Away

Clear trays designed exclusively for the swing-away front. Clear tray size is 21"Lx24"W (53x61cm). Oversized clear tray size is 29"Wx22"L (74x56cm).



PNG50010 Pow'r Up Lift

Brings the user to the standing position with the touch of a button. Includes light touch controller, rechargeable battery and charger, Linak® actuator and an emergency release.



PNG50347 Clear Tray Top for Shadow

Acrylic, replaces standard black molded tray. Tray size is 21"Lx24"W (53x61cm). Shadow tray required. Not available with mobile.



PNG50490 Black Molded Angle Adjustable Tray for Swing-Away

Adjusts from 0-35° to provide forearm support and angle activities closer to the user. Designed exclusively for the swing-away front. Tray size is 21"Lx24"W (53x61cm).



PNG50328 Adjustable/Removable Actuator Handle

Removable actuator handle adjusts the distance of reach to actuator handle to meet user's needs. Not available with pow'r up lift.



PNG50248 Clear Tray Top

Acrylic, replaces standard black molded tray. Tray size is 21"Lx24"W (53x61cm). Not available with mobile, shadow or swing-away.



PNG50489 Clear Angle Adjustable Tray for Swing-Away

Adjusts from 0-35° to provide forearm support and angle activities closer to the user. Designed exclusively for the swing-away front. Tray size is 21"Lx24"W (53x61cm).



PNG50044 Quad Grip Handle Extension

Attaches to the actuator handle for users with limited dexterity. Adjusts for various hand sizes. Not available with pow'r up lift.



PNG50194 Oversized Clear Tray

Large acrylic tray allows more room for reading and functional activities. Tray size is 29"Wx22"L (74x56cm). Not available with mobile, shadow or swing-away.



PNG50491 Oversized Clear Angle Adjustable Tray for Swing-Away

Adjusts from 0-35° to provide forearm support and angle activities closer to the user. Designed exclusively for the swing-away front. Tray size is 29"Wx22"L (74x56cm).



PNG50327 Clear Angle Adjustable Tray for Mobile

Adjusts from 0-35° to provide forearm support and angle activities closer to the user. Tray size is 18"x19" (56x48cm).



PNG50042 Hand Grips

Provides additional arm and hand support and alignment. Easily movable for precise arm positioning. Attaches with suction cups. A clear acrylic tray is required.



PNG30000 Large Contoured Chest Pad

Attaches to tray or no-tray bracket to provide anterior support. Replaces standard chest pad. Oval pad is 9.5"Hx15"W (24x38cm). Standard with shadow tray.



PNG30295 Padded Tray Cover

A removable padded tray cover with drawstring that attaches to the black molded, clear, angle adjustable, or shadow tray. Not available for mobile tray or oversized tray.



**PNG30030 Foot Straps-15"
PNG50505 Foot Straps-21"**

Velcro® and D-ring adjustment hold feet in alignment with two attachment slots for proper foot positioning. Straps measured in length over top of foot, with approximately 1.5" (4cm) of Velcro® overlap.



**PNG30031 Secure Foot Straps-15"
PNG50506 Secure Foot Straps-21"**

Velcro® and D-ring adjustment hold feet in alignment with two attachment slots for proper foot positioning. Straps measured in length over top of foot, with approximately 1.5" (4cm) of Velcro® overlap.



PNG30270 Transfer Seat

Provides larger surface for lateral transfers. 23"W at widest area x 21.5"L (58x55cm). May replace the need for a transfer board.



PNG50318 Rotating Seat

Rotating disk is embedded in the seat to reduce shear while swinging the user's legs into place. It rotates 90° to the left or right and locks in place.



PNG30023 Seat w/Roho® Insert

Maximizes pressure relief using the benefits of Roho® Dry Floation® technology. Insert is 7"x12" (18x30cm). Replaces standard seat.



**PNG50161 Hip Supports-10"-15"W
PNG50198 Hip Supports-12"-17"W**

Supports the hips in symmetrical alignment from sitting to standing. Width range is 10"-15" (25-38cm) and 12"-17" (30-43cm). Pad size is 4"x6" (10x16cm). Limited adjustment with shadow tray.



**PNG50384 Independent Knee Pads
PNG50425 Independent Knee Pads for Swing-Away**

Width range from center to center is 9"-13.5" (24-34cm). Knee pad depth range from front of seat is 1"-7.5" (3-19cm). Knee pad height range is +5" to -5.25" (+13 to -13cm) from seat pivot. Not available with mobile.



**PNG50385 Independent Roho® Knee Pads
PNG50426 Ind Roho® Knee Pads for Swing-Away**

Width range from center to center is 9"-13.5" (24-34cm). Depth range from front of seat is 1"-7.5" (3-19cm). Height range is +5" to -5.5" (+13 to -14cm) from seat pivot. Not available with mobile.



**PNG50066 Flat Back 15"H
PNG50171 Removable Flat Back 15"H**

Top of back is 15" (38cm) from seat. Removable back releases with two knobs and provides rear access for patient lift transfers.



**PNG50067 Flat Back 19"H
PNG50173 Removable Flat Back 19"H**

Top of back is 19" (48cm) from seat. Removable back releases with two knobs and provides rear access for patient lift transfers.



**PNG50062 Contoured Back 15"H
PNG50172 Removable Contoured Back 15"H**

Top of back is 15" (38cm) from seat. Removable back detaches with two knobs and provides rear access for patient lift transfers.



**PNG50068 Contoured Back 19"H
PNG50174 Removable Contoured Back 19"H**

Top of back is 19" (48cm) from seat. Removable back detaches with two knobs and provides rear access for patient lift transfers.



**PNG30029 Velcro® Positioning Belt-26"
PNG30306 Velcro® Positioning Belt-38"**

2" (5cm) wide positioning belt has a D-ring Velcro® closure, provides hip stability for user. Fits hip circumference of 26"-55" (66-140cm) and 38"-67" (97-170cm). Back required.



PNG30028 Positioning Belt w/Airline Style Buckle

2" (5cm) wide positioning belt provides hip stability with the security of an airline style buckle. Fits hip circumference of 26"-55" (66-140cm). Back required.



**PNG50192 Chest Strap-30"-46" Range
PNG50193 Chest Strap-34"-54" Range
PNG50504 Chest Strap-46"-66" Range**

Velcro® and D-ring adjustment. 30"-46" (76x117cm) chest strap pad is 5"Wx19"L (13x48cm). 34"-54" (86x137cm) and 46"-66" (117-168cm) chest strap pad is 5"Wx24"L (13x61cm). Fits users with chest measurement ranging from 30"-46" (76-117cm), 34"-54" (86-137cm) and 46"-66" (117-168cm). Back required.



P600002 Back Angle Adjustment Wheel

Provides quick adjustment of the back angle for multi-user environments. Replaces standard 5 point knob. Back required.



PNG50034 Accessories Mounting Bracket

Required for attaching the chest vest, lateral supports, high mount chest vest bracket, head supports and push handles. Back required.



**PNG30170 X-Style Chest Vest-11"Lx9.5"W
PNG30056 X-Style Chest Vest-12.5"Lx10"W**

Neoprene® with camlock adjustment provides anterior trunk support. Size is 11"Lx9.5"W (28x24cm) and 12.5"Lx10"W (32x26cm). Back and accessories mounting bracket required.



**PNG30171 Y-Style Chest Vest-17.5"Lx11.5"W
PNG30021 Y-Style Chest Vest-20.5"Lx12.5"W**

Neoprene® with camlock adjustment provides anterior trunk support. Size is 17.5"Lx11.5"W (44x29cm) and 20.5"Lx12.5"W (52x32cm). Back and accessories mounting bracket required.



PNG11212 High Mount Chest Vest Bracket

Moves mounting points for chest vest higher to secure shoulders in position. Chest vest not included. Back and accessories mounting bracket required.



**PNG50224 Lateral Supports 8"-16.5"W
PNG50176 Lateral Supports 11"-19.5"W**

Multiple adjustments, removable for transferring. Depth range is 3" (8cm). Height range is 4"-12" (10-30cm). Pad size is 4"x6" (10x15cm). Back and accessories mounting bracket required.



**PNG50240 Head Support-Short
PNG50037 Head Support-Tall**

Height range from seat with a 15" back for PNG50240 is 21"-30" (53-76cm) and PNG50037 is 23"-32" (58-81cm). With a 19" tall back the PNG50240 is 23"-32" (58-81cm) and PNG50037 is 25"-34" (64-86cm). Back and accessories mounting bracket required.

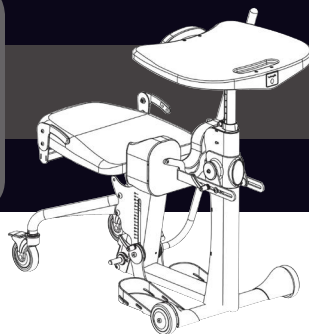


PNG50040 Push Handles

Makes pushing the stander easier for the caregiver. Back and accessories mounting bracket required.

Evolv XT

Options



6'-6'10"
(183-208cm)



The EasyStand Evolv base model includes: Two 5" rear locking casters, two 5" front wheels, manual hydraulic actuator with handle, flip-up knee pad, multi-adjustable foot plates, black molded tray with chest pad and black upholstery (back not included).



PNG50500 Easy-Adjust Seat Depth

Roller bearing seat depth that allows for smoother seat depth adjustment. Not available off unit. Great for multi-user facilities.



PNG50322 Mobile

Self propel the stander. Features flip-away knee pad and push rims, drive wheel locks and enclosed chain drive mechanism. Not available with independent knee pads or shadow trays.



PNG50346 Front Swivel Casters

Locking casters allow for easier steering and movement of stander. Replaces front wheels. Extends footprint to 29.5"x38" (75x97cm). Not available with mobile option.



PNG50321 Pow'r Up Lift

Brings the user to the standing position with the touch of a button. Includes light touch controller, rechargeable battery and charger, Linak® actuator and an emergency release.



PNG50328 Adjustable/Removable Actuator Handle

Removable actuator handle adjusts the distance of reach to actuator handle to meet user's needs. Not available with pow'r up lift.



PNG50044 Quad Grip Handle Extension

Attaches to the actuator handle for users with limited dexterity. Adjusts for various hand sizes. Not available with pow'r up lift.



PNG50070 T-Style Handle Extension

Attaches to the actuator handle for users with limited range of motion. Makes the first few pumps easier and descending more accessible. Adds additional 7" (18cm) in each direction. Not available with pow'r up lift.



PNG50130 Shadow Tray 10" PNG50334 Deep Shadow Tray 10"

Seat to tray height 10" (25cm). PNG50130 depth range is 3.5"-15" (9-38cm) and PNG50334 is 7.5"-19" (19-48cm). Includes large, adjustable contoured chest pad. Back option required. Not available with mobile.



PNG50026 Shadow Tray 12" PNG50332 Deep Shadow Tray 12"

Seat to tray height 12" (30cm). PNG50026 depth range is 3.5"-15" (9-38cm) and PNG50332 is 7.5"-19" (19-48cm). Includes large, adjustable contoured chest pad. Back option required. Not available with mobile.



PNG50347 Clear Tray Top for Shadow

Acrylic, replaces standard black molded tray. Tray size is 21"x24" (53x61cm). Shadow tray required. Not available with mobile.



PNG50248 Clear Tray Top

Acrylic, replaces standard black molded tray. Tray size is 21"x24" (53x61cm). Not available with mobile.



PNG50194 Oversized Clear Tray

Large acrylic tray allows more room for reading and functional activities. Tray size is 29"x22" (74x56cm). Not available with shadow tray or mobile.



PNG50368 Black Molded Angle Adjustable Tray

Adjusts from 0-35° to provide forearm support and angle activities closer to the user. Tray size is 21"x24" (53x61cm). Not available with shadow tray or mobile.



PNG50366 Clear Angle Adjustable Tray

Adjusts from 0-35° to provide forearm support and angle activities closer to the user. Tray size is 21"x24" (53x61cm). Not available with shadow tray or mobile.



PNG50295 No-Tray Chest Pad

Provides anterior support to trunk while allowing closer access to cabinets and other hard to reach areas. Works great with the mobile option. Not available with shadow tray.



PNG50327 Clear Angle Adjustable Tray for Mobile

Adjusts from 0-35° to provide forearm support and angle activities closer to the user. Tray size is 21"Lx24"W (53x61cm). Not available with shadow or swing-away.



PNG50042 Hand Grips

Provides additional arm and hand support and alignment. Easily movable for precise arm positioning. Attaches with suction cups. A clear acrylic tray is required.



PNG30000 Large Contoured Chest Pad

Attaches to tray or no-tray bracket to provide anterior support. Replaces standard chest pad. Oval pad is 9.5"Hx15"W (24x38cm). Standard with shadow tray.



PNG30295 Padded Tray Cover

A removable padded tray cover with drawstring that attaches to the black molded, clear, angle adjustable, or shadow tray. Not available for mobile tray or oversized tray.



PNG30030 Foot Straps-15" PNG50505 Foot Straps-21"

Velcro® and D-ring adjustment hold feet in alignment with two attachment slots for proper foot positioning. Straps measured in length over top of foot, with approximately 1.5" (4cm) of Velcro® overlap.



PNG30031 Secure Foot Straps-15" PNG50506 Secure Foot Straps-21"

Velcro® and D-ring adjustment hold feet in alignment with two attachment slots for proper foot positioning. Straps measured in length over top of foot, with approximately 1.5" (4cm) of Velcro® overlap.

**PNG30270 Transfer Seat**

Provides larger surface for lateral transfers. 23"W at widest area x 21.5"L (58x55cm). May replace the need for a transfer board.

**PNG50318 Rotating Seat**

Rotating disk is embedded in the seat to reduce shear while swinging the user's legs into place. It rotates 90° to the left or right and locks in place.

**PNG30023 Seat w/Roho® Insert**

Maximizes pressure relief using the benefits of Roho® Dry Floatation® technology. Insert is 7"x12" (18x30cm). Replaces standard seat.

**PNG50161 Hip Supports-10"-15"W
PNG50198 Hip Supports-12"-17"W**

Supports the hips in symmetrical alignment from sitting to standing. Width range is 10"-15" (25-38cm) and 12"-17" (30-43cm). Pad size is 4"x6" (10x16cm). Limited adjustment with shadow tray.

**PNG50384 Independent Knee Pads**

Width range from center to center is 9"-13.5" (24-34cm). Knee pad depth range from front of seat is 1"-7.5" (3-19cm). Knee pad height range is +5" to -5.25" (+13 to -13cm) from seat pivot. Not available with mobile.

**PNG50385 Independent Roho® Knee Pads**

Width range from center to center is 9"-13.5" (24-34cm). Depth range from front of seat is 1"-7.5" (3-19cm). Height range is +5" to -5.5" (+13 to -14cm) from seat pivot. Not available with mobile.

**PNG50066 Flat Back 15"H
PNG50171 Removable Flat Back 15"H**

Top of back is 15" (38cm) from seat. Removable back releases with two knobs and provides rear access for patient lift transfers.

**PNG50067 Flat Back 19"H
PNG50173 Removable Flat Back 19"H**

Top of back is 19" (48cm) from seat. Removable back releases with two knobs and provides rear access for patient lift transfers.

**PNG50062 Contoured Back 15"H
PNG50172 Removable Contoured Back 15"H**

Top of back is 15" (38cm) from seat. Removable back detaches with two knobs and provides rear access for patient lift transfers.

**PNG50068 Contoured Back 19"H
PNG50174 Removable Contoured Back 19"H**

Top of back is 19" (48cm) from seat. Removable back detaches with two knobs and provides rear access for patient lift transfers.

**PNG30029 Velcro® Positioning Belt-26"
PNG30306 Velcro® Positioning Belt-38"**

2" (5cm) wide positioning belt has a D-ring Velcro® closure, provides hip stability for user. Fits hip circumference of 26"-55" (66-140cm) and 38"-67" (97-170cm). Back required.

**PNG30028 Positioning Belt w/Airline Style Buckle**

2" (5cm) wide positioning belt provides hip stability with the security of an airline style buckle. Fits hip circumference of 26"-55" (66-140cm). Back required.

**PNG50192 Chest Strap-30"-46" Range
PNG50193 Chest Strap-34"-54" Range
PNG50504 Chest Strap-46"-66" Range**

Velcro® and D-ring adjustment. 30"-46" (76x117cm) chest strap pad is 5"Wx19"L (13x48cm). 34"-54" (86x137cm) and 46"-66" (117-168cm) chest strap pad is 5"Wx24"L (13x61cm). Fits users with chest measurement ranging from 30"-46" (76-117cm), 34"-54" (86-137cm) and 46"-66" (117-168cm). Back required.

**P600002 Back Angle Adjustment Wheel**

Provides quick adjustment of the back angle for multi-user environments. Replaces standard 5 point knob. Back required.

**PNG50034 Accessories Mounting Bracket**

Required for attaching the chest vest, lateral supports, high mount chest vest bracket, head supports and push handles. Back required.

**PNG30170 X-Style Chest Vest-11"Lx9.5"W
PNG30056 X-Style Chest Vest-12.5"Lx10"W**

Neoprene® with camlock adjustment provides anterior trunk support. Size is 11"Lx9.5"W (28x24cm) and 12.5"Lx10"W (32x26cm). Back and accessories mounting bracket required.

**PNG30171 Y-Style Chest Vest-17.5"Lx11.5"W
PNG30021 Y-Style Chest Vest-20.5"Lx12.5"W**

Neoprene® with camlock adjustment provides anterior trunk support. Size is 17.5"Lx11.5"W (44x29cm) and 20.5"Lx12.5"W (52x32cm). Back and accessories mounting bracket required.

**PNG11212 High Mount Chest Vest Bracket**

Moves mounting points for chest vest higher to secure shoulders in position. Chest vest not included. Back and accessories mounting bracket required.

**PNG50224 Lateral Supports 8"-16.5"W
PNG50176 Lateral Supports 11"-19.5"W**

Multiple adjustments, removable for transferring. Depth range is 3" (8cm). Height range is 4"-12" (10-30cm). Pad size is 4"x6" (10x15cm). Back and accessories mounting bracket required.

**PNG50240 Head Support-Short
PNG50037 Head Support-Tall**

Height range from seat with a 15" back for PNG50240 is 21"-30" (53-76cm) and PNG50037 is 23"-32" (58-81cm). With a 19" tall back the PNG50240 is 23"-32" (58-81cm) and PNG50037 is 25"-34" (64-86cm). Back and accessories mounting bracket required.

**PNG50040 Push Handles**

Makes pushing the stander easier for the caregiver. Back and accessories mounting bracket required.

**P80246 Angle Locator**

Helps therapists monitor standing progress. Attaches under seat magnetically.



Swing-Away Front w/Shadow Tray

EasyStand^{li}

Altimate Medical, Inc.

262 West First Street
Morton, MN 56270 USA

Tel: 800.342.8968 • 507.697.6393

Fax: 877.342.8968 • 507.697.6900

info@easystand.com • easystand.com

Standing technology should only be used under the guidance of a physician with recommendations for standing program protocol and any medical precautions. Standing programs should be monitored by the attending therapist. AMI maintains a policy of continual product improvement and reserves the right to change features, specifications, and prices without prior notification. Check with AMI for latest information.

FORM EVOLVCAT120616 REV A Copyright © 2016 Altimate Medical, Inc. All rights reserved. Printed in the USA.